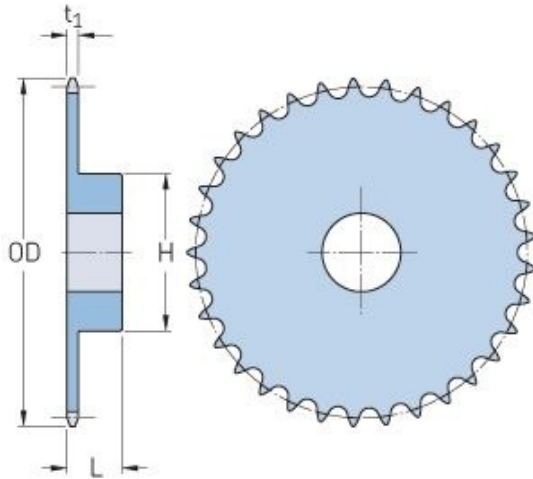


PHS 60-1B43



Pitch P (in)	0.75
No. of teeth	43
Diameter (in)	10.7
Min. bore (in)	1
Max. bore (in)	2.75
Hub H (in)	4.25
Hub L (in)	1.25
Weight (lbs)	13