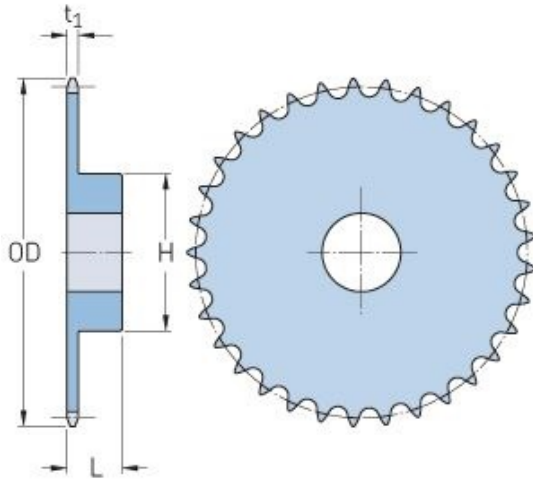


PHS 60-1B36



Pitch P (in)	0.75
No. of teeth	36
Diameter (in)	9.02
Min. bore (in)	1
Max. bore (in)	2.75
Hub H (in)	4
Hub L (in)	1.25
Weight (lbs)	9.6