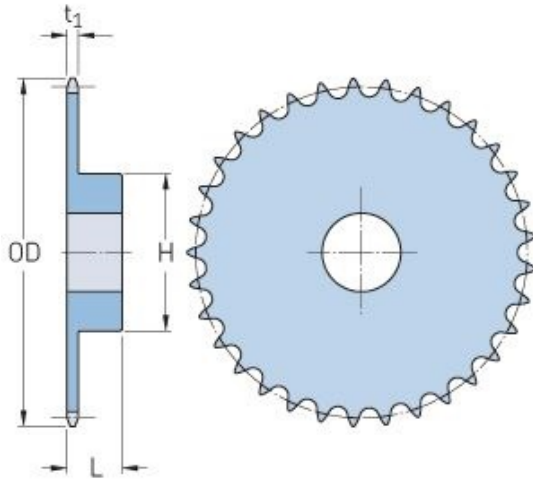


# PHS 60-1B30



|                |      |
|----------------|------|
| Pitch P (in)   | 0.75 |
| No. of teeth   | 30   |
| Diameter (in)  | 7.59 |
| Min. bore (in) | 0.75 |
| Max. bore (in) | 2.75 |
| Hub H (in)     | 4    |
| Hub L (in)     | 1.25 |
| Weight (lbs)   | 7.58 |