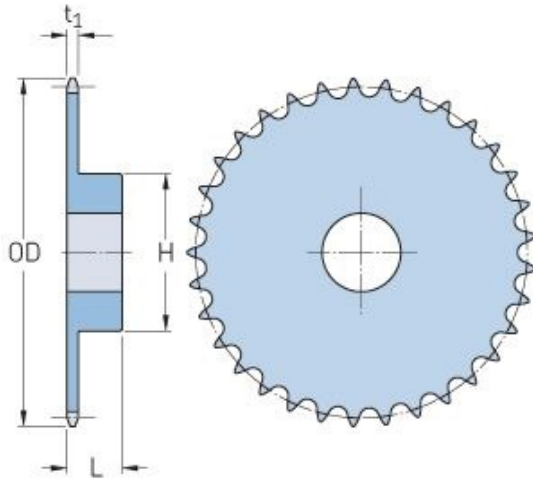


PHS 50-1B84



Pitch P (in)	0.63
No. of teeth	84
Diameter (in)	17.08
Min. bore (in)	1
Max. bore (in)	2.75
Hub H (in)	4.25
Hub L (in)	1.75
Weight (lbs)	25.5