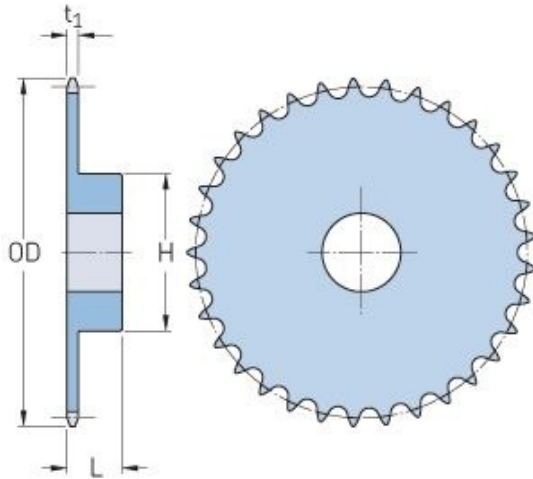


# PHS 50-1B60



Pitch P (in)	0.63
No. of teeth	60
Diameter (in)	12.3
Min. bore (in)	1
Max. bore (in)	2.5
Hub H (in)	3.75
Hub L (in)	1.25
Weight (lbs)	13