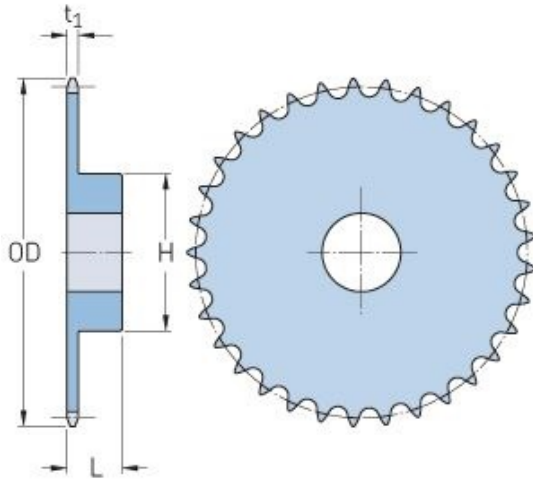


PHS 40-1B29



Pitch P (in)	0.5
No. of teeth	29
Diameter (in)	4.9
Min. bore (in)	0.63
Max. bore (in)	2.25
Hub H (in)	3.25
Hub L (in)	1
Weight (lbs)	2.8