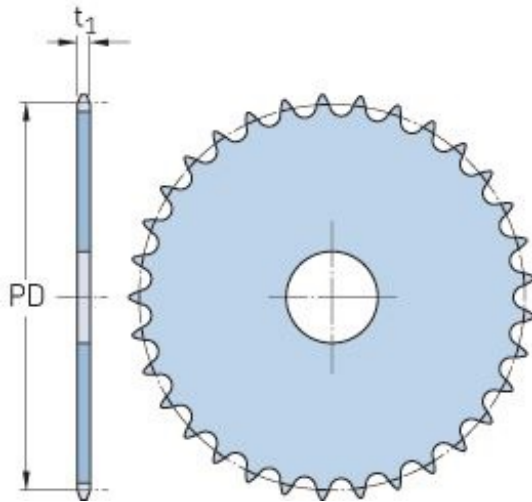


PHS 16B-1A17



Pitch P (mm)	25.4
Pitch P (in)	1
No. of teeth	17
Pitch diameter (mm)	138.22
Pitch diameter (in)	5.44
Min. bore (mm)	-
Min. bore (in)	-
Max. bore (mm)	-
Max. bore (in)	-
Hub H (mm)	-
Hub H (in)	-
Hub L (mm)	-
Hub L (in)	-
Weight (kg)	1.68
Weight (lbs)	3.7