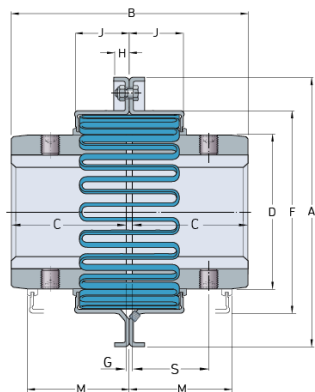


# PHE 1160TGRID



Size	<b>1160</b>
Nominal torque (lbft)	<b>41229.72</b>
Nominal torque (Nm)	<b>55900</b>
Min. bore (mm)	<b>120</b>
Max speed (r/min)	<b>1750</b>
Min. bore (in)	<b>4.72</b>
Max. bore (mm)	<b>228</b>
Max. bore (in)	<b>8.98</b>
Weight (kg)	<b>0.2</b>
Weight (lbs)	<b>0.44</b>