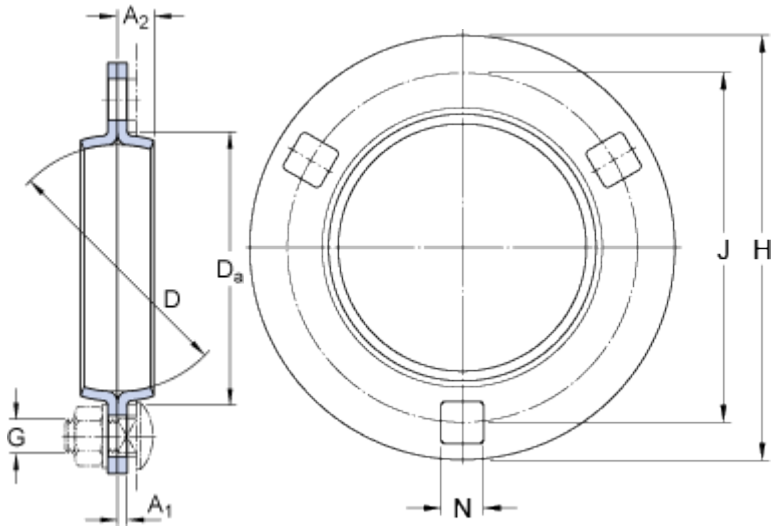


# PF 62

## Dimensions



D		62	mm
D <sub>a</sub>	min.	67	mm
A <sub>1</sub>		2.5	mm
A <sub>2</sub>		9.5	mm
J		90.5	mm
H		112	mm
N		11	mm

## Calculation data

Permissible radial load	max.	5	kN
-------------------------	------	---	----

## Mass

Mass housing	0.3	kg
--------------	-----	----

## Mounting information

Recommended diameter for attachment bolts, mm	G	10	mm
Recommended diameter for attachment bolts, inch	G	0.375	in