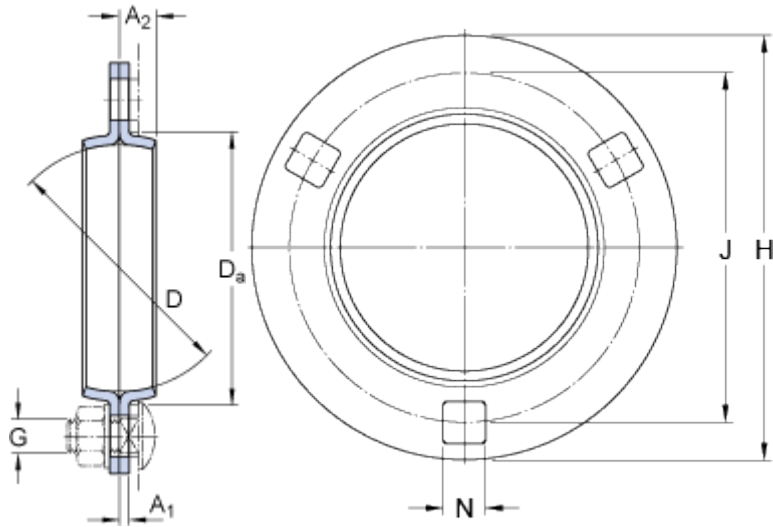


PF 52

Dimensions



D		52	mm
D _a	min.	56	mm
A ₁		2	mm
A ₂		9	mm
J		76.2	mm
H		95	mm
N		8.7	mm

Calculation data

Permissible radial load	max.	3.6	kN
-------------------------	------	-----	----

Mass

Mass housing	0.18	kg
--------------	------	----

Mounting information

Recommended diameter for attachment bolts, mm	G	8	mm
Recommended diameter for attachment bolts, inch	G	0.3125	in