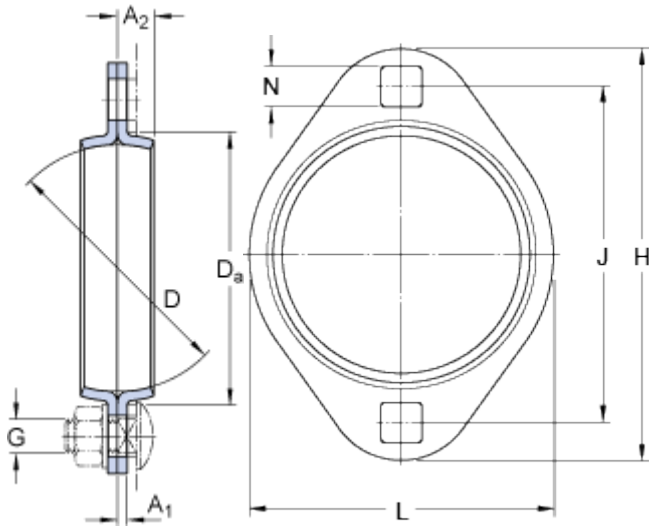


PFT 72

Dimensions



D	72	mm
A ₁	2.5	mm
A ₂	10	mm
D _a	min. 77	mm
J	100	mm
H	122	mm
L	94	mm
N	11	mm

Calculation data

Permissible radial load	max.	6.5	kN
-------------------------	------	-----	----

Mass

Mass housing	0.2	kg
--------------	-----	----

Mounting information

Recommended diameter for attachment bolts, mm	G	10	mm
Recommended diameter for attachment bolts, inch	G	0.375	in