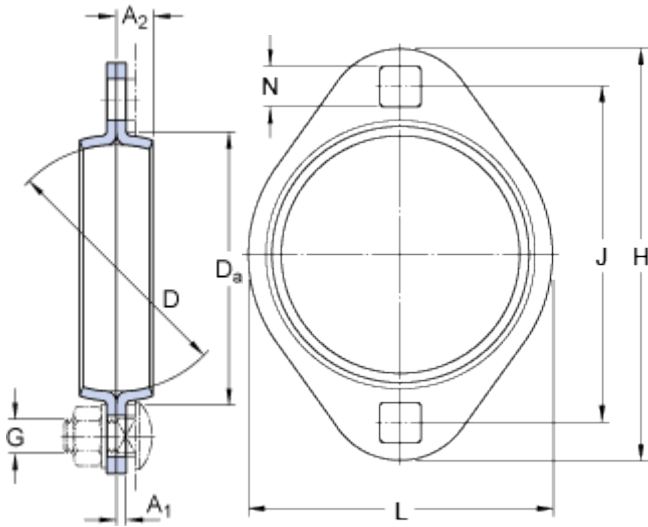


PFT 62

Dimensions



D	62	mm
A ₁	2.5	mm
A ₂	9.5	mm
D _a	min. 67	mm
J	90.5	mm
H	112	mm
L	84	mm
N	11	mm

Calculation data

Permissible radial load	max.	5	kN
-------------------------	------	---	----

Mass

Mass housing	0.17	kg
--------------	------	----

Mounting information

Recommended diameter for attachment bolts, mm	G	10	mm
Recommended diameter for attachment bolts, inch	G	0.375	in