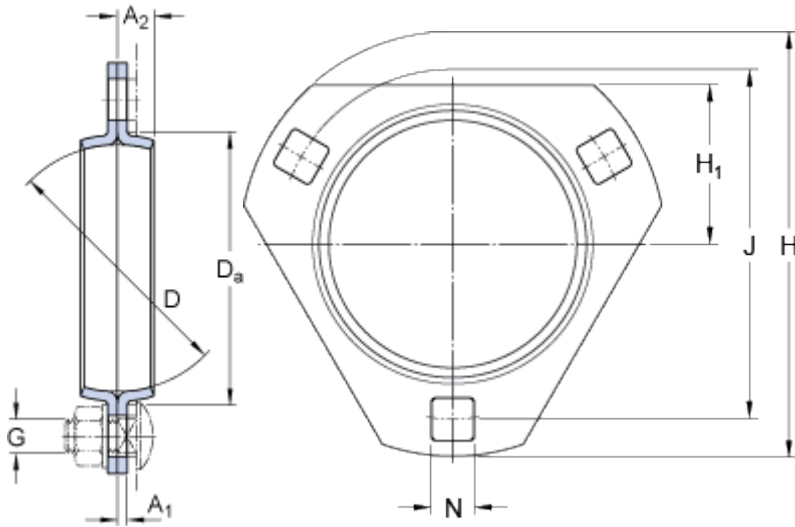


PFD 62

Dimensions



D		62	mm
D _a	min.	67	mm
A ₁		2.5	mm
A ₂		9.5	mm
J		90.5	mm
H		112	mm
H ₁		38	mm
N		11	mm

Calculation data

Permissible radial load	max.	5	kN
-------------------------	------	---	----

Mass

Mass housing	0.18	kg
--------------	------	----

Mounting information

Recommended diameter for attachment bolts, mm	G	10	mm
Recommended diameter for attachment bolts, inch	G	0.375	in