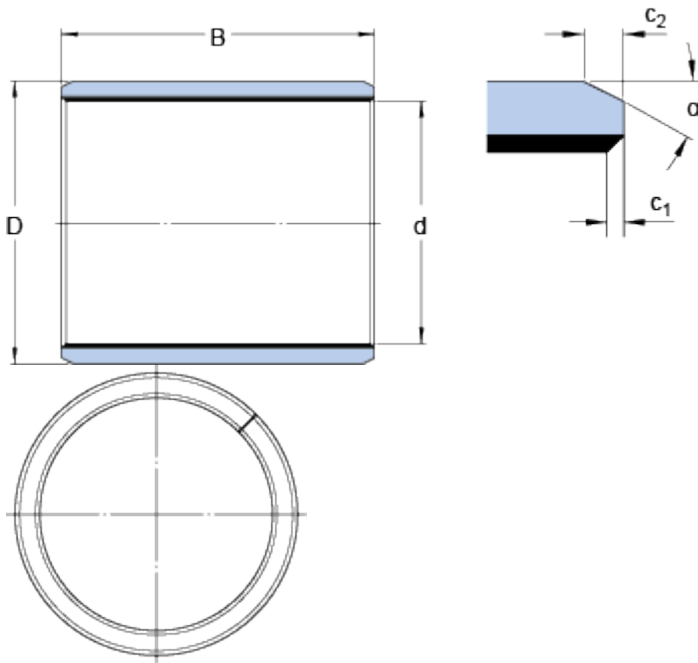


# PCM 303420 E

## Dimensions



d		30	mm
D		34	mm
B		20	mm
c <sub>1</sub>	min.	0.1	mm
c <sub>1</sub>	max.	0.7	mm
c <sub>2</sub>	min.	0.8	mm
c <sub>2</sub>	max.	1.6	mm
α	±8	20	°

## Recommended fits

Tolerance shaft	f7
Tolerance housing	H7

## Calculation data

Basic dynamic load rating - radial direction	C	46.5	kN
Basic static load rating - radial direction	C	143	kN
Specific dynamic load factor	K	80	N/mm <sup>2</sup>
Specific static load factor	K	250	N/mm <sup>2</sup>
Factor depending on material and bearing type	K <sub>M</sub>	480	
Permissible sliding velocity	v min.	0	m/s
Permissible sliding velocity	v max.	2	m/s
Coefficient of friction	μ min.	0.03	
Coefficient of friction	μ max.	0.25	

## Mass

Mass bushing	0.03	kg
--------------	------	----