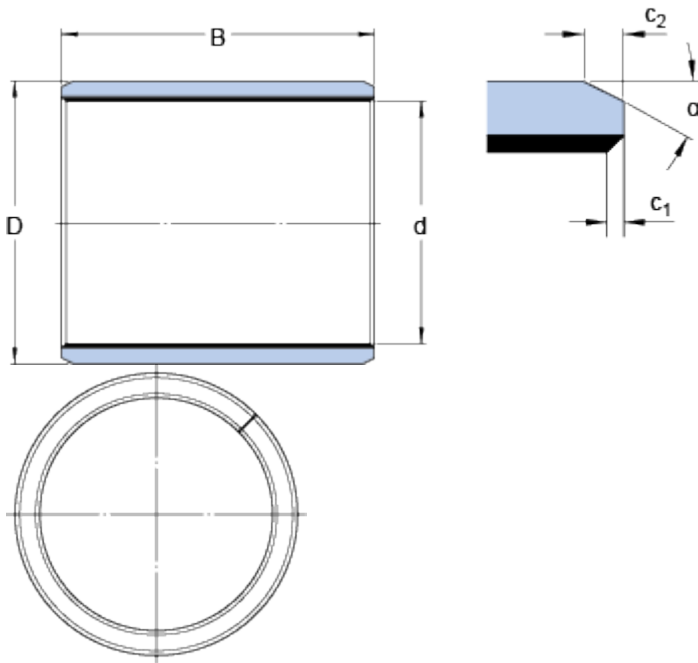


# PCM 081006 E

## Dimensions



|                |      |     |    |
|----------------|------|-----|----|
| d              |      | 8   | mm |
| D              |      | 10  | mm |
| B              |      | 6   | mm |
| c <sub>1</sub> | min. | 0.1 | mm |
| c <sub>1</sub> | max. | 0.6 | mm |
| c <sub>2</sub> | min. | 0.2 | mm |
| c <sub>2</sub> | max. | 1   | mm |
| α              | ±8   | 20  | °  |

## Recommended fits

|                   |    |
|-------------------|----|
| Tolerance shaft   | f7 |
| Tolerance housing | H7 |

## Calculation data

|   |                |           |                   |
|---|----------------|-----------|-------------------|
| Basic dynamic load rating - radial direction  | C              | 3.8       | kN                |
| Basic static load rating - radial direction   | C              | 12        | kN                |
| Specific dynamic load factor                  | K              | 80        | N/mm <sup>2</sup> |
| Specific static load factor                   | K              | 250       | N/mm <sup>2</sup> |
| Factor depending on material and bearing type | K <sub>M</sub> | 480       |                   |
| Permissible sliding velocity                  | v              | min. 0    | m/s               |
| Permissible sliding velocity                  | v              | max. 2    | m/s               |
| Coefficient of friction                       | μ              | min. 0.03 |                   |
| Coefficient of friction                       | μ              | max. 0.25 |                   |

## Mass

|              |        |    |
|--------------|--------|----|
| Mass bushing | 0.0012 | kg |
|--------------|--------|----|