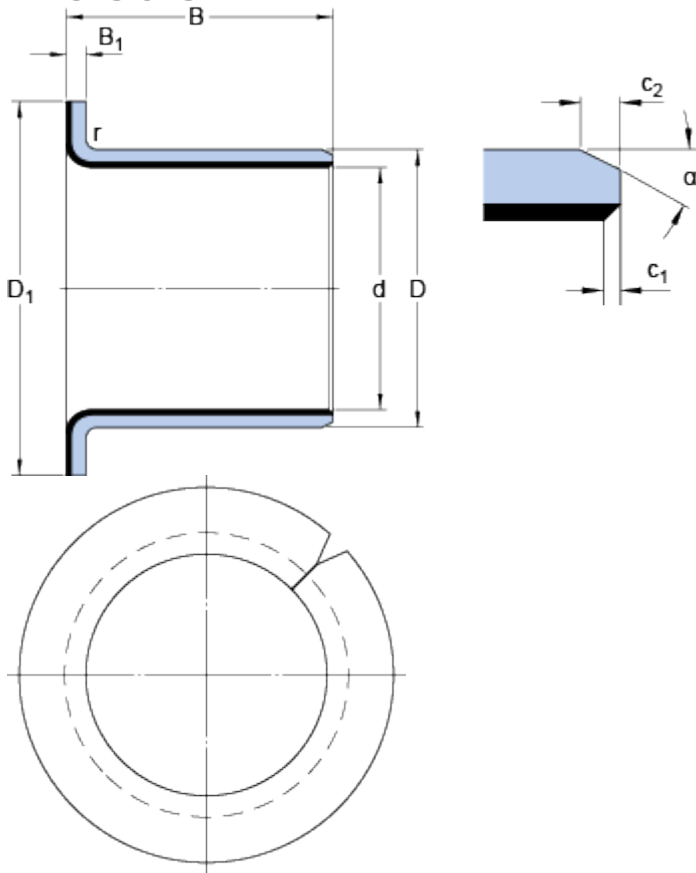


# PCMF 353926 E

## Dimensions



d		35	mm
D		39	mm
B		26	mm
D <sub>1</sub>		47	mm
B <sub>1</sub>		2	mm
c <sub>1</sub>	min.	0.1	mm
c <sub>1</sub>	max.	0.7	mm
c <sub>2</sub>	min.	0.8	mm
c <sub>2</sub>	max.	1.6	mm
α	±8	20	°
r	max.	2	mm

## Recommended fits

Tolerance shaft	f7
Tolerance housing	H7

## Calculation data

Basic dynamic load rating - radial direction	C	63	kN
Basic static load rating - radial direction	C	196	kN
Basic dynamic load rating - axial direction	C <sub>a</sub>	33.5	kN
Basic static load rating - axial direction	C <sub>0a</sub>	104	kN
Specific dynamic load factor	K	80	N/mm <sup>2</sup>
Specific static load factor	K	250	N/mm <sup>2</sup>
Factor depending on material and bearing type	K <sub>M</sub>	480	
Permissible sliding velocity	v	min. 0	m/s
Permissible sliding velocity	v	max. 2	m/s
Coefficient of friction	μ	min. 0.03	
Coefficient of friction	μ	max. 0.25	

## Mass

Mass bushing	0.051	kg
--------------	-------	----

