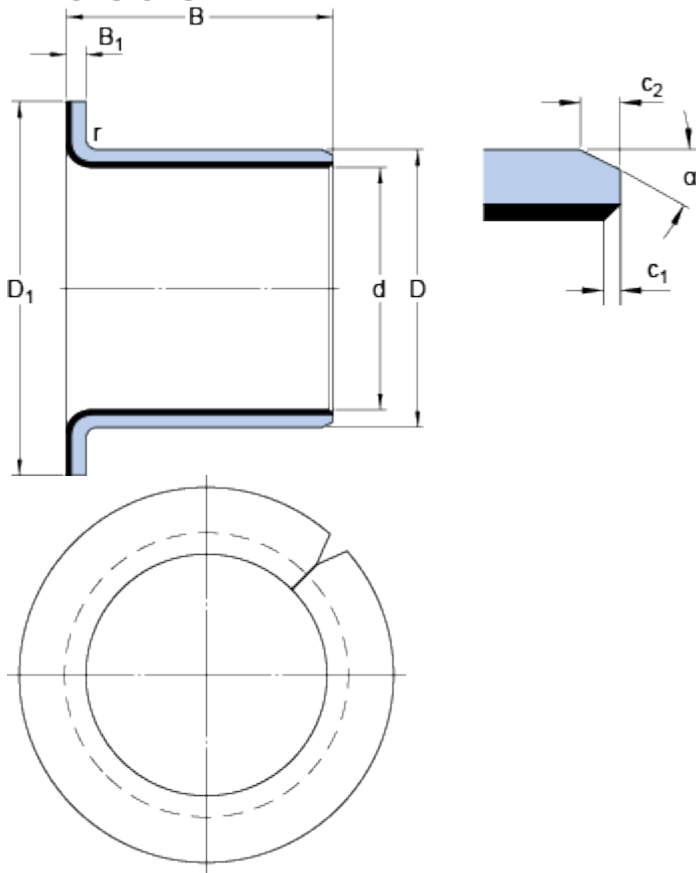


PCMF 101207 E

Dimensions



d		10	mm
D		12	mm
B		7	mm
D_1		18	mm
B_1		1	mm
c_1	min.	0.1	mm
c_1	max.	0.6	mm
c_2	min.	0.2	mm
c_2	max.	1	mm
α	± 8	20	$^\circ$
r	max.	1	mm

Recommended fits

Tolerance shaft	f7
Tolerance housing	H7

Calculation data

Basic dynamic load rating - radial direction	C	4	kN
Basic static load rating - radial direction	C	12.5	kN
Basic dynamic load rating - axial direction	C_a	8	kN
Basic static load rating - axial direction	C_{0a}	25	kN
Specific dynamic load factor	K	80	N/mm^2
Specific static load factor	K	250	N/mm^2
Factor depending on material and bearing type	K_M	480	
Permissible sliding velocity	v min.	0	m/s
Permissible sliding velocity	v max.	2	m/s
Coefficient of friction	μ min.	0.03	
Coefficient of friction	μ max.	0.25	

Mass

Mass bushing	0.003	kg
--------------	-------	----

