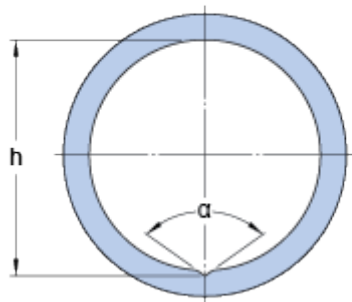
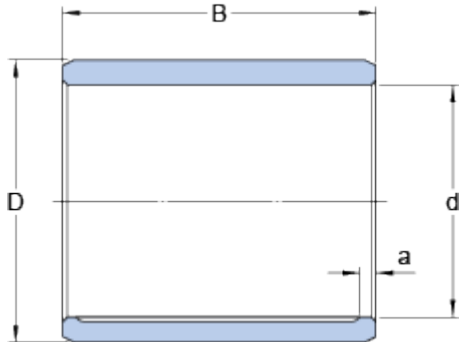


PBM 405040 M1G1

Dimensions



d	40	mm
D	50	mm
B	40	mm
a	3	mm
h	41	mm
α	124	°

Recommended fits

Tolerance shaft	e7
Tolerance housing	H7

Calculation data

Specific dynamic load factor	K	25	N/mm ²
Specific static load factor	K	45	N/mm ²
Permissible sliding velocity	v	min.	0 m/s
Permissible sliding velocity	v	max.	0.5 m/s
Coefficient of friction	μ	min.	0.08
Coefficient of friction	μ	max.	0.15

Mass

Mass bushing	0.25	kg
--------------	------	----