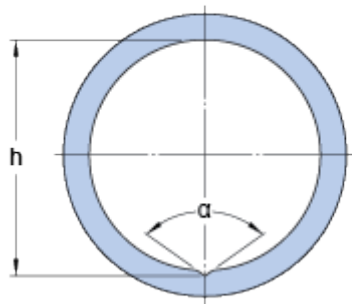
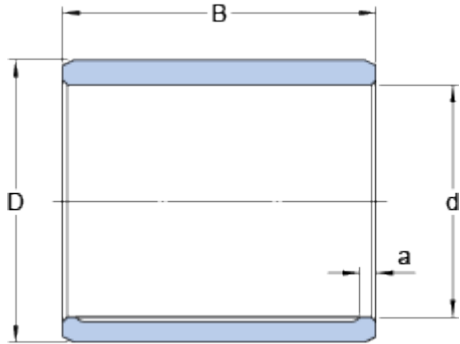


PBM 202830 M1G1

Dimensions



d	20	mm
D	28	mm
B	30	mm
a	3	mm
h	21	mm
α	105	°

Recommended fits

Tolerance shaft	$e7$
Tolerance housing	$H7$

Calculation data

Specific dynamic load factor	K	25	N/mm^2
Specific static load factor	K	45	N/mm^2
Permissible sliding velocity	v min.	0	m/s
Permissible sliding velocity	v max.	0.5	m/s
Coefficient of friction	μ min.	0.08	
Coefficient of friction	μ max.	0.15	

Mass

Mass bushing	0.079	kg
--------------	-------	----