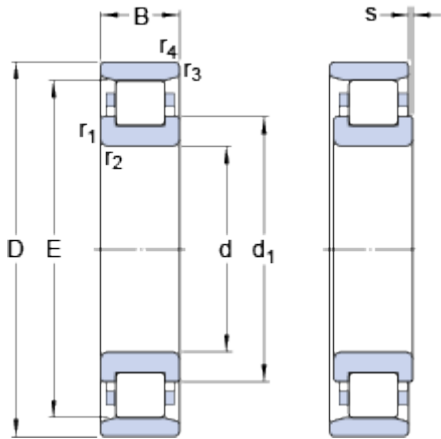


N 312 ECP

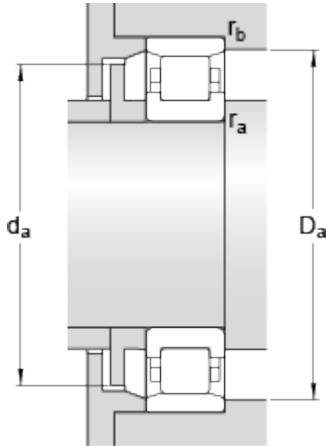
SKF Explorer

Dimensions



d		60	mm
D		130	mm
B		31	mm
d ₁	≈	84.3	mm
E		115	mm
r _{1,2}	min.	2.1	mm
r _{3,4}	min.	2.1	mm
s	max.	2.1	mm

Abutment dimensions



d _a	min.	72	mm
d _a	max.	113	mm
D _a	min.	118	mm
D _a	max.	119	mm
r _a	max.	2	mm
r _b	max.	2	mm

Calculation data

Basic dynamic load rating	C	173	kN
Basic static load rating	C	160	kN
Fatigue load limit	P _u	21.2	kN
Reference speed		5600	r/min
Limiting speed		6700	r/min
Calculation factor	k _r	0.12	
Limiting value	e	0.2	
Axial load factor	Y	0.6	

Mass

Mass bearing		1.76	kg
--------------	--	------	----