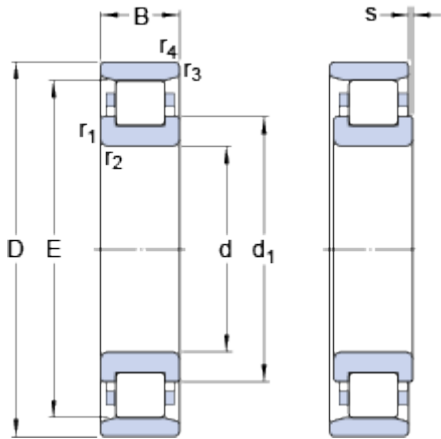


N 310 ECP

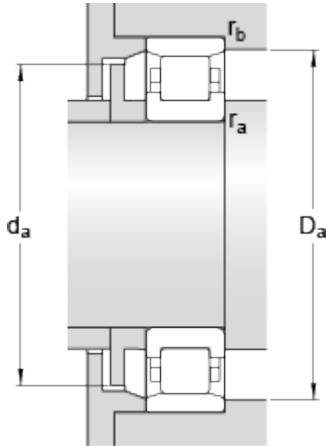
SKF Explorer

Dimensions



d		50	mm
D		110	mm
B		27	mm
d ₁	≈	71.2	mm
E		97	mm
r _{1,2}	min.	2	mm
r _{3,4}	min.	2	mm
s	max.	1.9	mm

Abutment dimensions



d _a	min.	60	mm
d _a	max.	95	mm
D _a	min.	99	mm
D _a	max.	101	mm
r _a	max.	2	mm
r _b	max.	2	mm

Calculation data

Basic dynamic load rating	C	127	kN
Basic static load rating	C	112	kN
Fatigue load limit	P _u	15	kN
Reference speed		6700	r/min
Limiting speed		8000	r/min
Calculation factor	k _r	0.12	
Limiting value	e	0.2	
Axial load factor	Y	0.6	

Mass

Mass bearing		1.11	kg
--------------	--	------	----