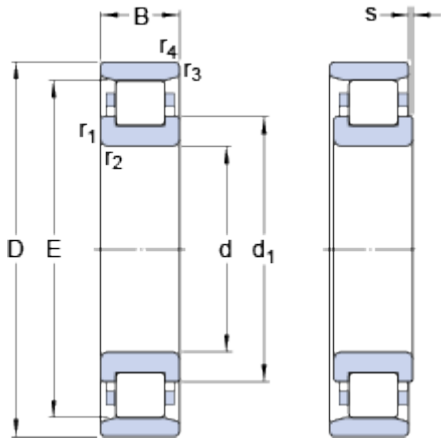


# N 307 ECP

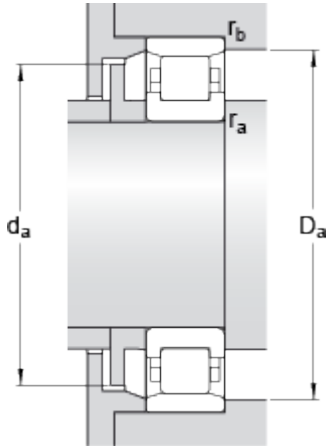
SKF Explorer

## Dimensions



d		35	mm
D		80	mm
B		21	mm
d <sub>1</sub>	≈	51	mm
E		70.2	mm
r <sub>1,2</sub>	min.	1.5	mm
r <sub>3,4</sub>	min.	1.1	mm
s	max.	1.2	mm

## Abutment dimensions



d <sub>a</sub>	min.	43	mm
d <sub>a</sub>	max.	68	mm
D <sub>a</sub>	min.	72	mm
D <sub>a</sub>	max.	73.4	mm
r <sub>a</sub>	max.	1.5	mm
r <sub>b</sub>	max.	1	mm

## Calculation data

Basic dynamic load rating	C	75	kN
Basic static load rating	C	63	kN
Fatigue load limit	P <sub>u</sub>	8.15	kN
Reference speed		9500	r/min
Limiting speed		11000	r/min
Calculation factor	k <sub>r</sub>	0.12	
Limiting value	e	0.2	
Axial load factor	Y	0.6	

## Mass

Mass bearing		0.48	kg
--------------	--	------	----