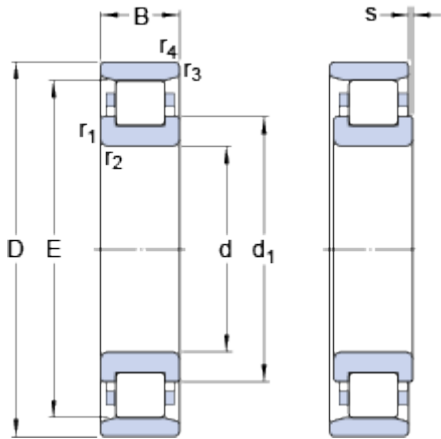


N 215 ECP

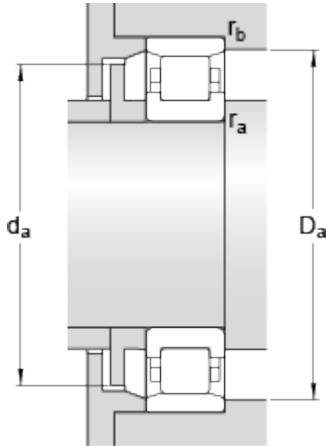
SKF Explorer

Dimensions



d		75	mm
D		130	mm
B		25	mm
d ₁	≈	94.3	mm
E		118.5	mm
r _{1,2}	min.	1.5	mm
r _{3,4}	min.	1.5	mm
s	max.	1.2	mm

Abutment dimensions



d _a	min.	84	mm
d _a	max.	116	mm
D _a	min.	121	mm
D _a	max.	122	mm
r _a	max.	1.5	mm
r _b	max.	1.5	mm

Calculation data

Basic dynamic load rating	C	150	kN
Basic static load rating	C	156	kN
Fatigue load limit	P _u	20.4	kN
Reference speed		5600	r/min
Limiting speed		6000	r/min
Calculation factor	k _r	0.12	
Limiting value	e	0.2	
Axial load factor	Y	0.6	

Mass

Mass bearing		1.22	kg
--------------	--	------	----