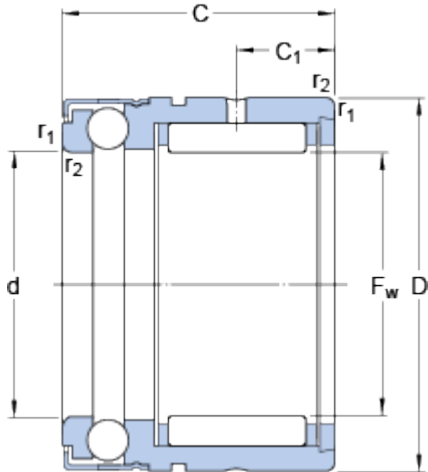


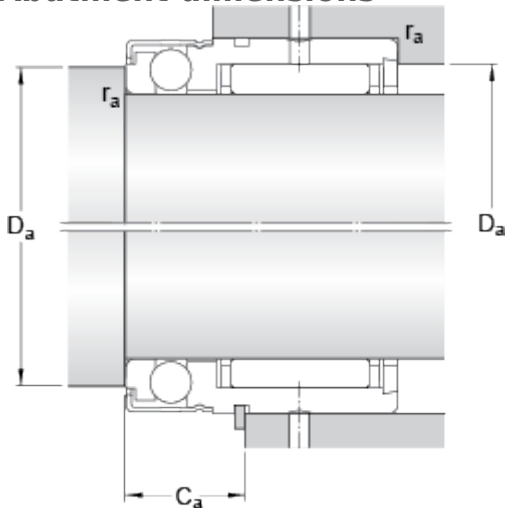
NX 7 ZTN

Dimensions



F _w	7	mm
D	14	mm
C	18	mm
C ₁	4.7	mm
d	7	mm
r _{1,2}	min. 0.3	mm

Abutment dimensions



d _a	min.	9.6	mm
D _a	max.	12	mm
C _a		10	mm
r _a	max.	0.3	mm

Calculation data

Basic dynamic load rating, radial direction	C	2.81	kN
Basic static load rating, radial direction	C	2.75	kN
Basic dynamic load rating, axial direction	C	3.45	kN
Basic static load rating, axial direction	C	5	kN
Fatigue load limit, radial direction	P _u	0.29	kN
Fatigue load limit, axial direction	P _u	0.186	kN
Minimum axial load factor	A	0.00013	
Reference speed		10000	r/min
Limiting speed		6000	r/min

Mass

Mass bearing	0.014	kg
--------------	-------	----

Associated products

Snap ring	SW 14	
-----------	-------	--

