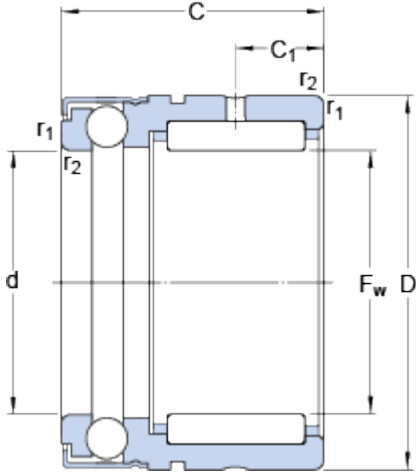


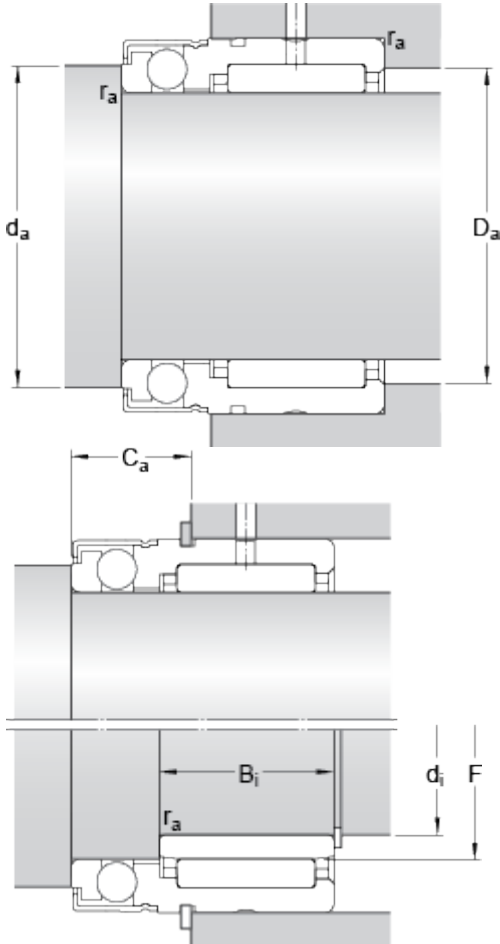
# NX 30 Z

## Dimensions



F <sub>w</sub>	30	mm
D	42	mm
C	30	mm
C <sub>1</sub>	10	mm
d	30	mm
r <sub>1,2</sub>	min. 0.3	mm

## Abutment dimensions



d <sub>a</sub>	min. 36.5	mm
D <sub>a</sub>	max. 40	mm
C <sub>a</sub>	14.2	mm
r <sub>a</sub>	max. 0.3	mm
d <sub>i</sub>	25	mm
F	30	mm
B <sub>i</sub>	20	mm

## Calculation data

Basic dynamic load rating, radial direction	C	22.9	kN
Basic static load rating, radial direction	C	38	kN
Basic dynamic load rating, axial direction	C	12.7	kN
Basic static load rating, axial direction	C	32.5	kN
Fatigue load limit, radial direction	P <sub>u</sub>	4.8	kN
Fatigue load limit, axial direction	P <sub>u</sub>	1.2	kN
Minimum axial load factor	A	0.0055	

Reference speed	5300	r/min
Limiting speed	3600	r/min

### **Mass**

Mass bearing	0.13	kg
--------------	------	----

### **Associated products**

Inner ring	IR 25x30x20
Snap ring	SW 42