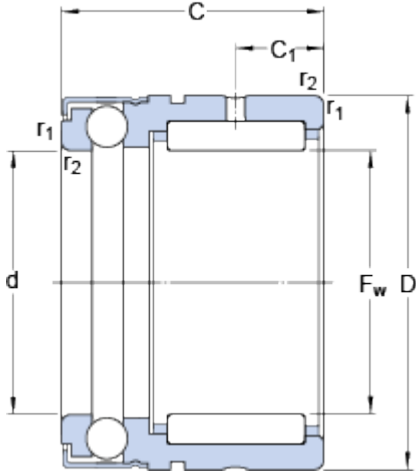


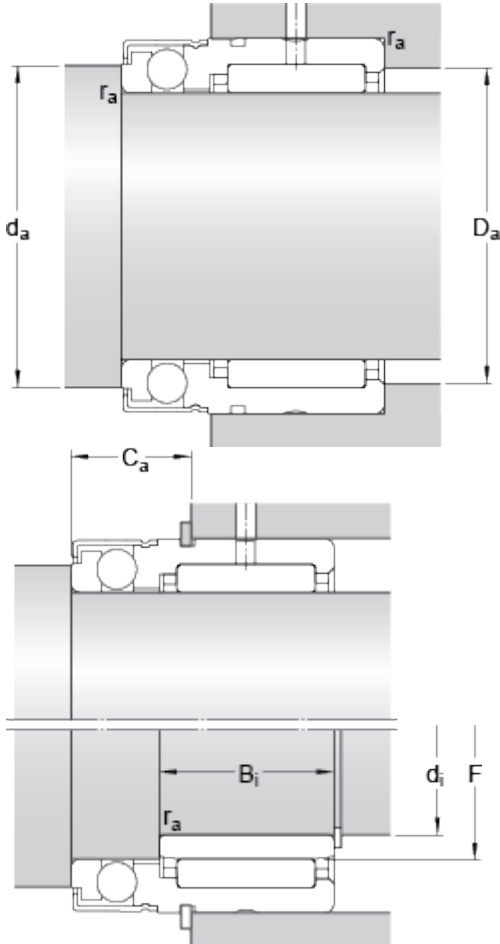
NX 25 Z

Dimensions



F _w	25	mm
D	37	mm
C	30	mm
C ₁	8	mm
d	25	mm
r _{1,2}	min. 0.3	mm

Abutment dimensions



d _a	min.	31.6	mm
D _a	max.	35	mm
C _a		14.2	mm
r _a	max.	0.3	mm
d _i		20	mm
F		25	mm
B _i		16	mm

Calculation data

Basic dynamic load rating, radial direction	C	15.1	kN
Basic static load rating, radial direction	C	24.5	kN
Basic dynamic load rating, axial direction	C	12.4	kN
Basic static load rating, axial direction	C	28.5	kN
Fatigue load limit, radial direction	P _u	2.9	kN
Fatigue load limit, axial direction	P _u	1.06	kN
Minimum axial load factor	A	0.0042	

Reference speed	5600	r/min
Limiting speed	3800	r/min

Mass

Mass bearing	0.12	kg
--------------	------	----

Associated products

Inner ring	IR 20x25x16 IS1
Snap ring	SW 37