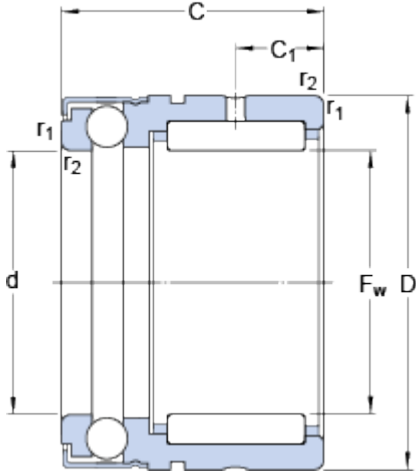


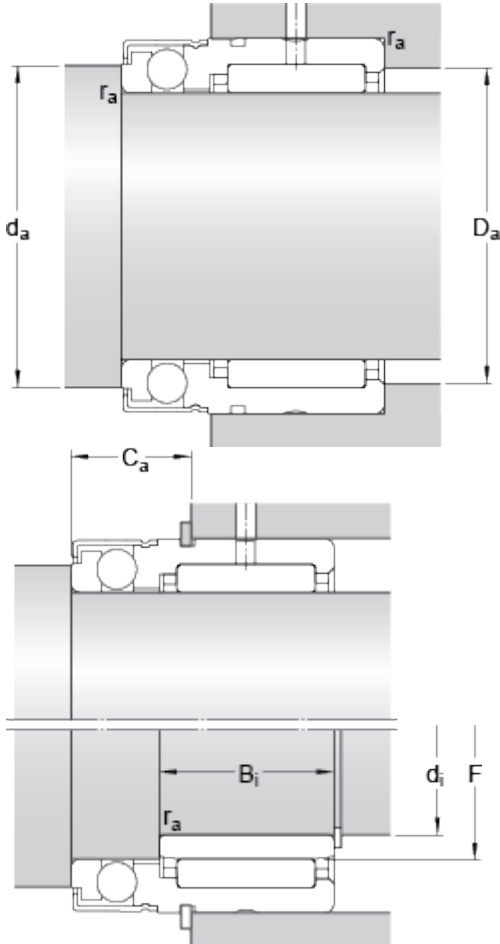
NX 20 Z

Dimensions



F _w	20	mm
D	30	mm
C	28	mm
C ₁	8	mm
d	20	mm
r _{1,2}	min. 0.3	mm

Abutment dimensions



d _a	min. 25	mm
D _a	max. 28	mm
C _a	12.2	mm
r _a	max. 0.3	mm
d _i	17	mm
F	20	mm
B _i	16	mm

Calculation data

Basic dynamic load rating, radial direction	C	13.2	kN
Basic static load rating, radial direction	C	19.3	kN
Basic dynamic load rating, axial direction	C	7.8	kN
Basic static load rating, axial direction	C	17.3	kN
Fatigue load limit, radial direction	P _u	2.28	kN
Fatigue load limit, axial direction	P _u	0.64	kN
Minimum axial load factor	A	0.0016	

Reference speed	6300	r/min
Limiting speed	4500	r/min

Mass

Mass bearing	0.068	kg
--------------	-------	----

Associated products

Inner ring	IR 17x20x16
Snap ring	SW 30