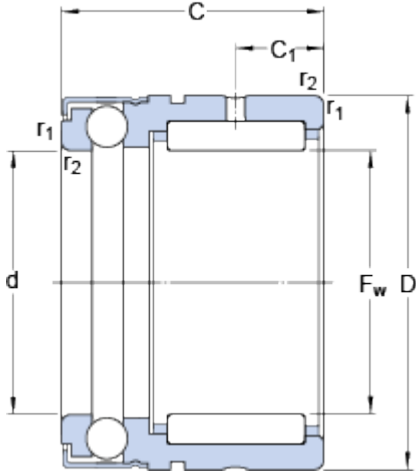


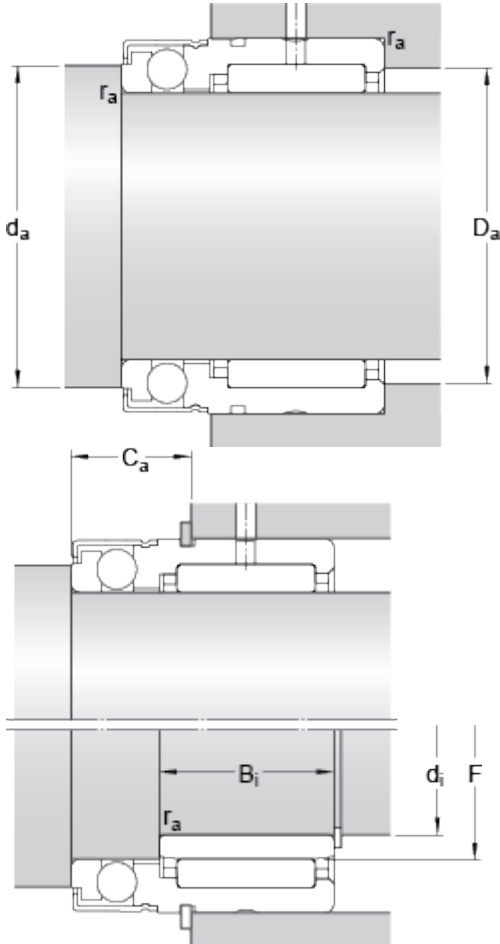
# NX 15 Z

## Dimensions



F <sub>w</sub>	15	mm
D	24	mm
C	28	mm
C <sub>1</sub>	8	mm
d	15	mm
r <sub>1,2</sub>	min. 0.3	mm

## Abutment dimensions



d <sub>a</sub>	min. 19	mm
D <sub>a</sub>	max. 22	mm
C <sub>a</sub>	12.2	mm
r <sub>a</sub>	max. 0.3	mm
d <sub>i</sub>	12	mm
F	15	mm
B <sub>i</sub>	16	mm

## Calculation data

Basic dynamic load rating, radial direction	C	11	kN
Basic static load rating, radial direction	C	14	kN
Basic dynamic load rating, axial direction	C	6.18	kN
Basic static load rating, axial direction	C	12.2	kN
Fatigue load limit, radial direction	P <sub>u</sub>	1.66	kN
Fatigue load limit, axial direction	P <sub>u</sub>	0.45	kN
Minimum axial load factor	A	0.00077	

Reference speed	7500	r/min
Limiting speed	5300	r/min

### **Mass**

Mass bearing	0.048	kg
--------------	-------	----

### **Associated products**

Inner ring	IR 12x15x16
Snap ring	SW 24