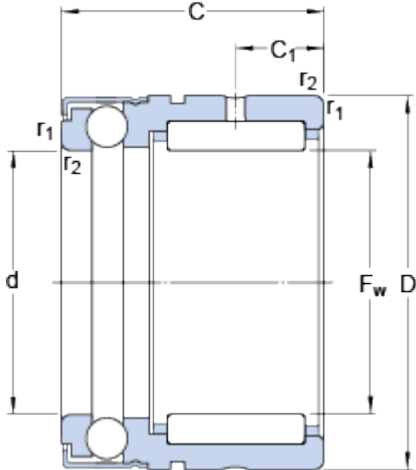


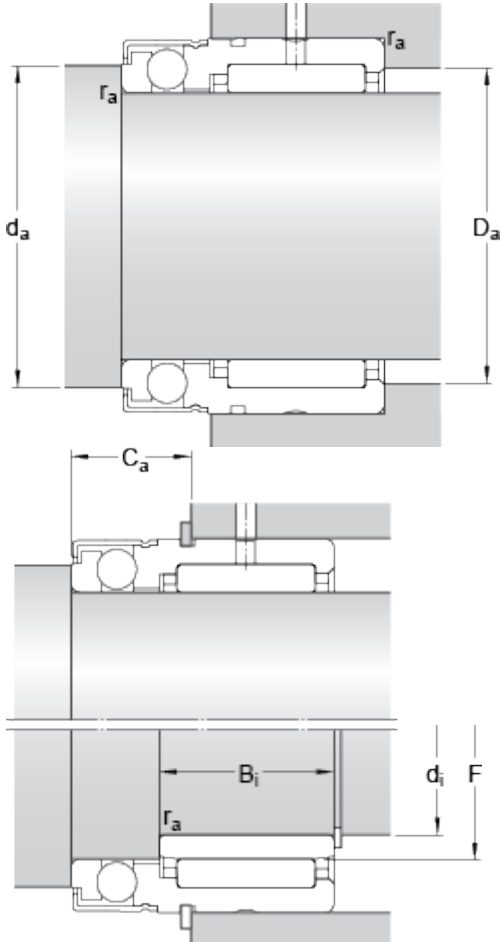
# NX 12 Z

## Dimensions



F <sub>w</sub>	12	mm
D	21	mm
C	18	mm
C <sub>1</sub>	4.7	mm
d	12	mm
r <sub>1,2</sub>	min. 0.3	mm

## Abutment dimensions



d <sub>a</sub>	min.	16.6	mm
D <sub>a</sub>	max.	19	mm
C <sub>a</sub>		10	mm
r <sub>a</sub>	max.	0.3	mm
d <sub>i</sub>		8	mm
F		12	mm
B <sub>i</sub>		10	mm

## Calculation data

Basic dynamic load rating, radial direction	C	5.39	kN
Basic static load rating, radial direction	C	5.2	kN
Basic dynamic load rating, axial direction	C	5.27	kN
Basic static load rating, axial direction	C	9.65	kN
Fatigue load limit, radial direction	P <sub>u</sub>	0.61	kN
Fatigue load limit, axial direction	P <sub>u</sub>	0.355	kN
Minimum axial load factor	A	0.00048	

Reference speed	8000	r/min
Limiting speed	5300	r/min

### Mass

Mass bearing	0.028	kg
--------------	-------	----

### Associated products

Inner ring	IR 8x12x10 IS1
Snap ring	SW 21