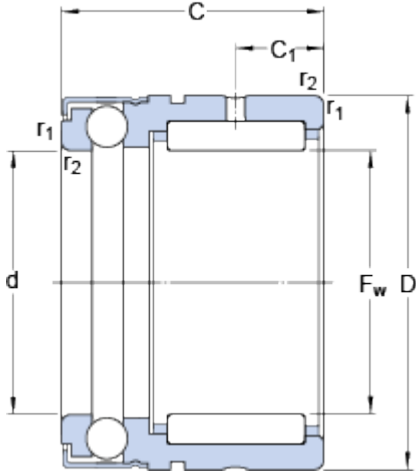


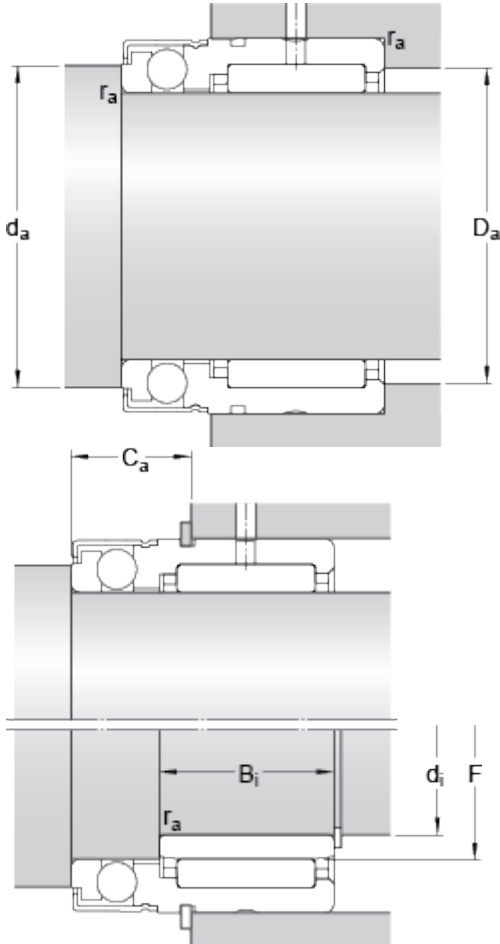
NX 10 Z

Dimensions



F _w	10	mm
D	19	mm
C	18	mm
C ₁	4.7	mm
d	10	mm
r _{1,2}	min. 0.3	mm

Abutment dimensions



d _a	min. 14.6	mm
D _a	max. 17	mm
C _a	10	mm
r _a	max. 0.3	mm
d _i	6	mm
F	10	mm
B _i	10	mm

Calculation data

Basic dynamic load rating, radial direction	C	4.95	kN
Basic static load rating, radial direction	C	4.55	kN
Basic dynamic load rating, axial direction	C	5.07	kN
Basic static load rating, axial direction	C	8.5	kN
Fatigue load limit, radial direction	P _u	0.53	kN
Fatigue load limit, axial direction	P _u	0.31	kN
Minimum axial load factor	A	0.00038	

Reference speed	8500	r/min
Limiting speed	5600	r/min

Mass

Mass bearing	0.025	kg
--------------	-------	----

Associated products

Inner ring	IR 6x10x10 IS1
Snap ring	SW 19