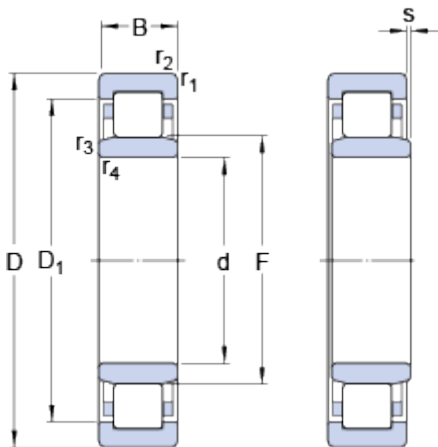


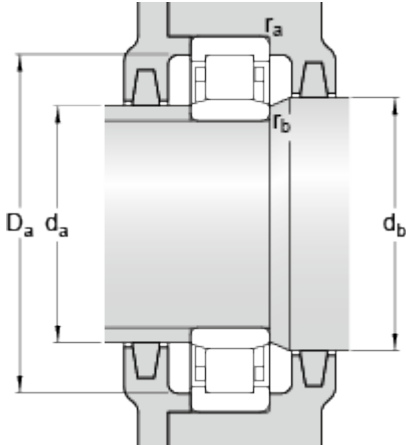
NU 409

Dimensions



d		45	mm
D		120	mm
B		29	mm
D ₁	≈	93.4	mm
F		64.5	mm
r _{1,2}	min.	2	mm
r _{3,4}	min.	2	mm
s	max.	2.5	mm

Abutment dimensions



d _a	min.	58	mm
d _a	max.	62	mm
d _b	min.	66	mm
D _a	max.	108	mm
r _a	max.	2	mm
r _b	max.	2	mm

Calculation data

Basic dynamic load rating	C	106	kN
Basic static load rating	C	102	kN
Fatigue load limit	P _u	13.4	kN
Reference speed		6700	r/min
Limiting speed		7500	r/min
Calculation factor	k _r	0.15	
Limiting value	e	0.2	
Axial load factor	Y	0.6	

Mass

Mass bearing		1.63	kg
--------------	--	------	----

Associated products

Angle ring		HJ 409	
------------	--	------------------------	--

