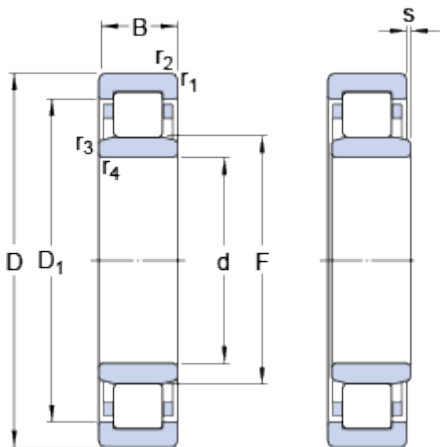


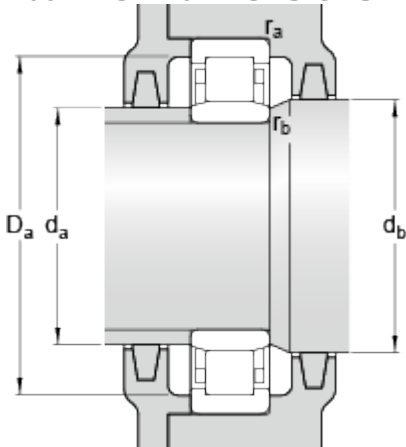
NU 407

Dimensions



d		35	mm
D		100	mm
B		25	mm
D ₁	≈	77.15	mm
F		53	mm
r _{1,2}	min.	1.5	mm
r _{3,4}	min.	1.5	mm
s	max.	1.7	mm

Abutment dimensions



d _a	min.	48	mm
d _a	max.	51	mm
d _b	min.	55	mm
D _a	max.	90	mm
r _a	max.	1.5	mm
r _b	max.	1.5	mm

Calculation data

Basic dynamic load rating	C	76.5	kN
Basic static load rating	C	69.5	kN
Fatigue load limit	P _u	9	kN
Reference speed		8000	r/min
Limiting speed		9500	r/min
Calculation factor	k _r	0.15	
Limiting value	e	0.2	
Axial load factor	Y	0.6	

Mass

Mass bearing		1	kg
--------------	--	---	----