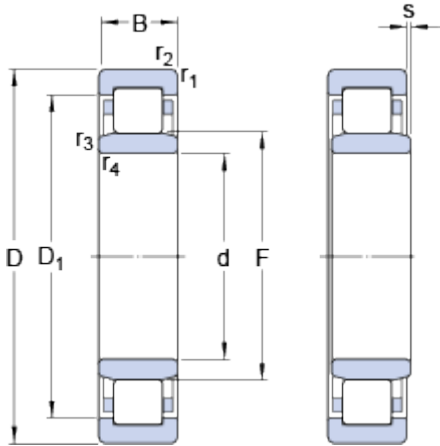


NU 319 ECP

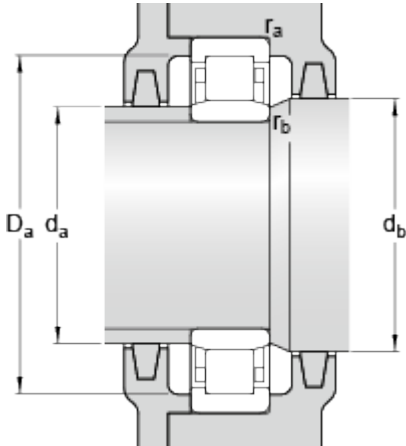
SKF Explorer

Dimensions



d		95	mm
D		200	mm
B		45	mm
D ₁	≈	168.3	mm
F		121.5	mm
r _{1,2}	min.	3	mm
r _{3,4}	min.	3	mm
s	max.	2.9	mm

Abutment dimensions



d _a	min.	110	mm
d _a	max.	118	mm
d _b	min.	125	mm
D _a	max.	185	mm
r _a	max.	2.5	mm
r _b	max.	2.5	mm

Calculation data

Basic dynamic load rating	C	390	kN
Basic static load rating	C	390	kN
Fatigue load limit	P _u	46.5	kN
Reference speed		3600	r/min
Limiting speed		4300	r/min
Calculation factor	k _r	0.15	
Limiting value	e	0.2	
Axial load factor	Y	0.6	

Mass

Mass bearing		6.18	kg
--------------	--	------	----

Associated products

Angle ring		HJ 319 EC	
------------	--	---------------------------	--

