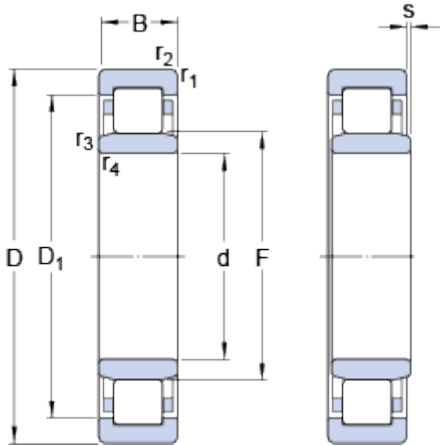


NU 317 ECP

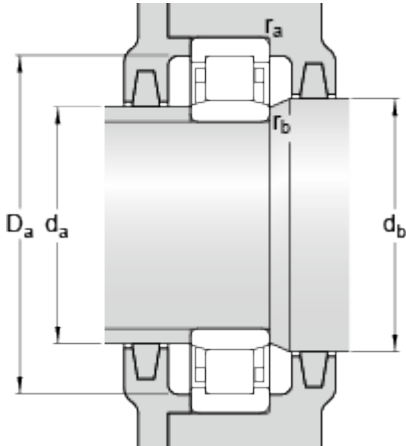
SKF Explorer

Dimensions



d	85	mm
D	180	mm
B	41	mm
D ₁	≈ 151.4	mm
F	108	mm
r _{1,2}	min. 3	mm
r _{3,4}	min. 3	mm
s	max. 2.3	mm

Abutment dimensions



d _a	min. 99	mm
d _a	max. 105	mm
d _b	min. 111	mm
D _a	max. 165.5	mm
r _a	max. 2.5	mm
r _b	max. 2.5	mm

Calculation data

Basic dynamic load rating	C	340	kN
Basic static load rating	C	335	kN
Fatigue load limit	P _u	41.5	kN
Reference speed		4000	r/min
Limiting speed		4800	r/min
Calculation factor	k _r	0.15	
Limiting value	e	0.2	
Axial load factor	Y	0.6	

Mass

Mass bearing	4.64	kg
--------------	------	----

Associated products

Angle ring	HJ 317 EC
------------	-----------

