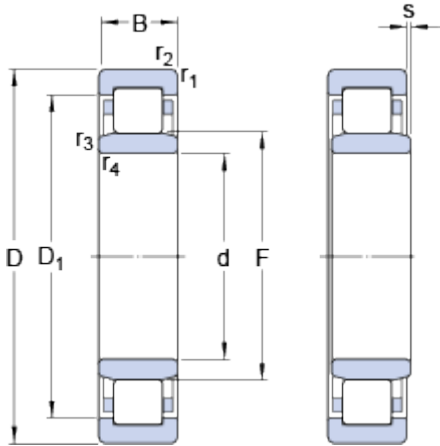


NU 316 ECJ

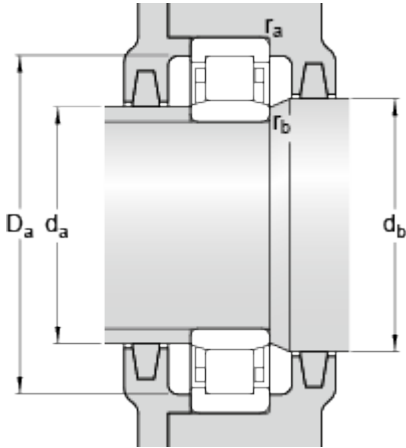
SKF Explorer

Dimensions



d	80	mm
D	170	mm
B	39	mm
D ₁	≈ 142.7	mm
F	101	mm
r _{1,2}	min. 2.1	mm
r _{3,4}	min. 2.1	mm
s	max. 2.1	mm

Abutment dimensions



da	min. 92	mm
da	max. 98	mm
db	min. 104	mm
Da	max. 157.8	mm
ra	max. 2	mm
rb	max. 2	mm

Calculation data

Basic dynamic load rating	C	300	kN
Basic static load rating	C	290	kN
Fatigue load limit	P _u	36	kN
Reference speed		4300	r/min
Limiting speed		5000	r/min
Calculation factor	k _r	0.15	
Limiting value	e	0.2	
Axial load factor	Y	0.6	

Mass

Mass bearing	4.02	kg
--------------	------	----

Associated products

Angle ring	HJ 316 EC
------------	-----------

