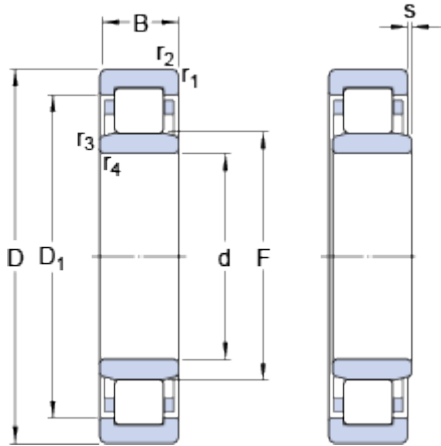


NU 315 ECJ

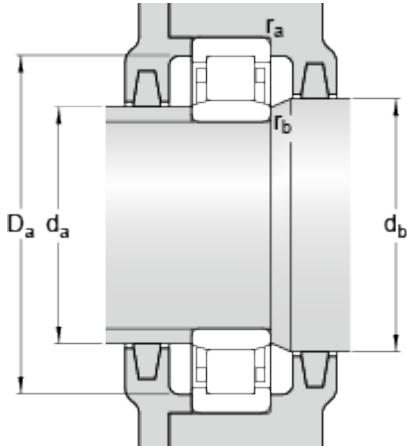
SKF Explorer

Dimensions



d		75	mm
D		160	mm
B		37	mm
D ₁	≈	135	mm
F		95	mm
r _{1,2}	min.	2.1	mm
r _{3,4}	min.	2.1	mm
s	max.	1.8	mm

Abutment dimensions



d _a	min.	87	mm
d _a	max.	92	mm
d _b	min.	97	mm
D _a	max.	148	mm
r _a	max.	2	mm
r _b	max.	2	mm

Calculation data

Basic dynamic load rating	C	280	kN
Basic static load rating	C	265	kN
Fatigue load limit	P _u	33.5	kN
Reference speed		4500	r/min
Limiting speed		5300	r/min
Calculation factor	k _r	0.15	
Limiting value	e	0.2	
Axial load factor	Y	0.6	

Mass

Mass bearing		3.24	kg
--------------	--	------	----

Associated products

Angle ring		HJ 315 EC	
------------	--	---------------------------	--

