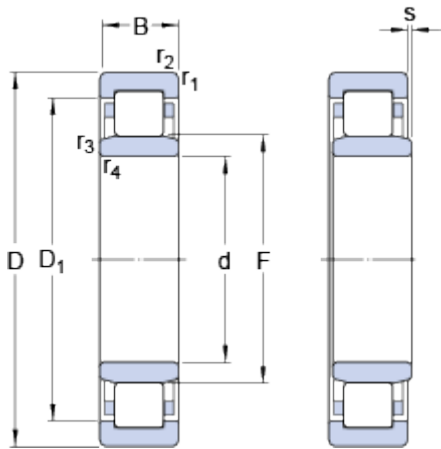


NU 314 ECP

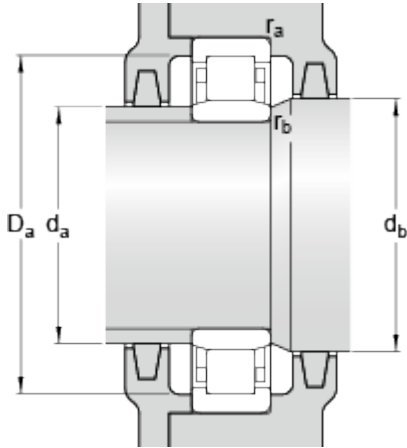
SKF Explorer

Dimensions



d		70	mm
D		150	mm
B		35	mm
D ₁	≈	125.6	mm
F		89	mm
r _{1,2}	min.	2.1	mm
r _{3,4}	min.	2.1	mm
s	max.	1.8	mm

Abutment dimensions



d _a	min.	82	mm
d _a	max.	86	mm
d _b	min.	92	mm
D _a	max.	137.5	mm
r _a	max.	2	mm
r _b	max.	2	mm

Calculation data

Basic dynamic load rating	C	236	kN
Basic static load rating	C	228	kN
Fatigue load limit	P _u	29	kN
Reference speed		4800	r/min
Limiting speed		5600	r/min
Calculation factor	k _r	0.15	
Limiting value	e	0.2	
Axial load factor	Y	0.6	

Mass

Mass bearing		2.7	kg
--------------	--	-----	----

Associated products

Angle ring		HJ 314 EC	
------------	--	---------------------------	--

