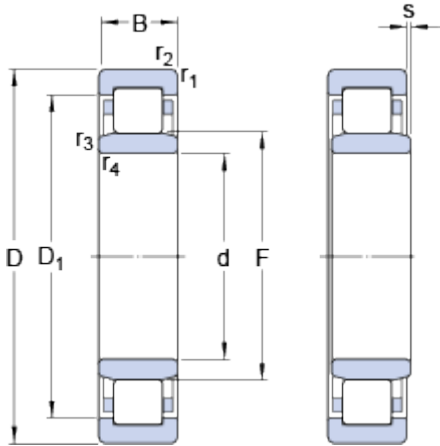


# NU 314 ECM

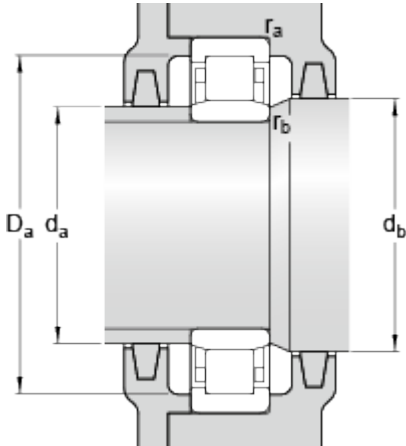
SKF Explorer

## Dimensions



d		70	mm
D		150	mm
B		35	mm
D <sub>1</sub>	≈	125.6	mm
F		89	mm
r <sub>1,2</sub>	min.	2.1	mm
r <sub>3,4</sub>	min.	2.1	mm
s	max.	1.8	mm

## Abutment dimensions



d <sub>a</sub>	min.	82	mm
d <sub>a</sub>	max.	86	mm
d <sub>b</sub>	min.	92	mm
D <sub>a</sub>	max.	137.5	mm
r <sub>a</sub>	max.	2	mm
r <sub>b</sub>	max.	2	mm

## Calculation data

Basic dynamic load rating	C	236	kN
Basic static load rating	C	228	kN
Fatigue load limit	P <sub>u</sub>	29	kN
Reference speed		4800	r/min
Limiting speed		5600	r/min
Calculation factor	k <sub>r</sub>	0.15	
Limiting value	e	0.2	
Axial load factor	Y	0.6	

## Mass

Mass bearing		3.17	kg
--------------	--	------	----

## Associated products

Angle ring		<a href="#">HJ 314 EC</a>	
------------	--	---------------------------	--

