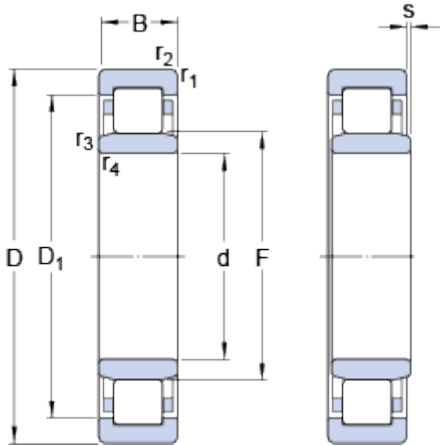


# NU 313 ECJ

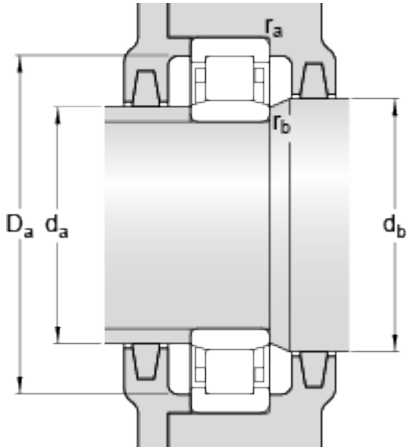
SKF Explorer

## Dimensions



d	65	mm
D	140	mm
B	33	mm
D <sub>1</sub>	≈ 117.4	mm
F	82.5	mm
r <sub>1,2</sub>	min. 2.1	mm
r <sub>3,4</sub>	min. 2.1	mm
s	max. 2.2	mm

## Abutment dimensions



d <sub>a</sub>	min. 77	mm
d <sub>a</sub>	max. 80	mm
d <sub>b</sub>	min. 85	mm
D <sub>a</sub>	max. 127.8	mm
r <sub>a</sub>	max. 2	mm
r <sub>b</sub>	max. 2	mm

## Calculation data

Basic dynamic load rating	C	212	kN
Basic static load rating	C	196	kN
Fatigue load limit	P <sub>u</sub>	25.5	kN
Reference speed		5300	r/min
Limiting speed		6000	r/min
Calculation factor	k <sub>r</sub>	0.15	
Limiting value	e	0.2	
Axial load factor	Y	0.6	

## Mass

Mass bearing	2.21	kg
--------------	------	----

## Associated products

Angle ring	HJ 313 EC	
------------	-----------	--

