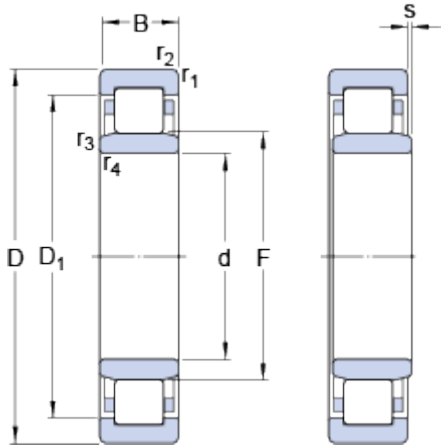


NU 311 ECP

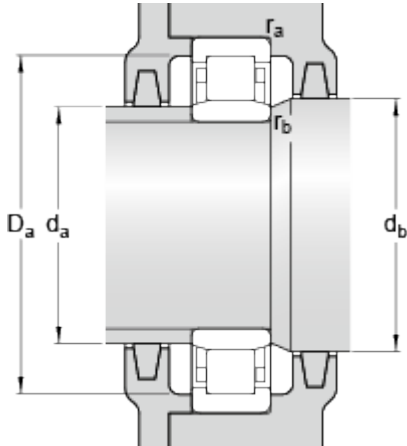
SKF Explorer

Dimensions



d		55	mm
D		120	mm
B		29	mm
D ₁	≈	100.3	mm
F		70.5	mm
r _{1,2}	min.	2	mm
r _{3,4}	min.	2	mm
s	max.	2	mm

Abutment dimensions



d _a	min.	65	mm
d _a	max.	68	mm
d _b	min.	73	mm
D _a	max.	109.2	mm
r _a	max.	2	mm
r _b	max.	2	mm

Calculation data

Basic dynamic load rating	C	156	kN
Basic static load rating	C	143	kN
Fatigue load limit	P _u	18.6	kN
Reference speed		6000	r/min
Limiting speed		7000	r/min
Calculation factor	k _r	0.15	
Limiting value	e	0.2	
Axial load factor	Y	0.6	

Mass

Mass bearing		1.44	kg
--------------	--	------	----

Associated products

Angle ring		HJ 311 EC	
------------	--	---------------------------	--

