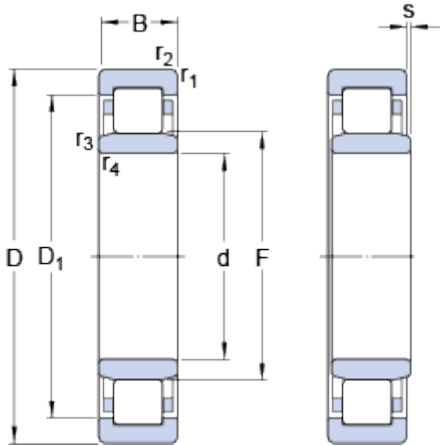


# NU 311 ECM

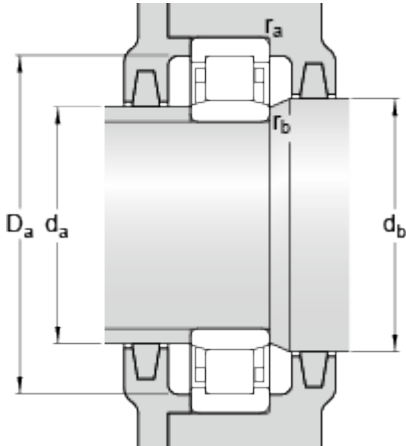
SKF Explorer

## Dimensions



d		55	mm
D		120	mm
B		29	mm
D <sub>1</sub>	≈	100.3	mm
F		70.5	mm
r <sub>1,2</sub>	min.	2	mm
r <sub>3,4</sub>	min.	2	mm
s	max.	2	mm

## Abutment dimensions



d <sub>a</sub>	min.	65	mm
d <sub>a</sub>	max.	68	mm
d <sub>b</sub>	min.	73	mm
D <sub>a</sub>	max.	109.2	mm
r <sub>a</sub>	max.	2	mm
r <sub>b</sub>	max.	2	mm

## Calculation data

Basic dynamic load rating	C	156	kN
Basic static load rating	C	143	kN
Fatigue load limit	P <sub>u</sub>	18.6	kN
Reference speed		6000	r/min
Limiting speed		7000	r/min
Calculation factor	k <sub>r</sub>	0.15	
Limiting value	e	0.2	
Axial load factor	Y	0.6	

## Mass

Mass bearing		1.72	kg
--------------	--	------	----

## Associated products

Angle ring		<a href="#">HJ 311 EC</a>	
------------	--	---------------------------	--

