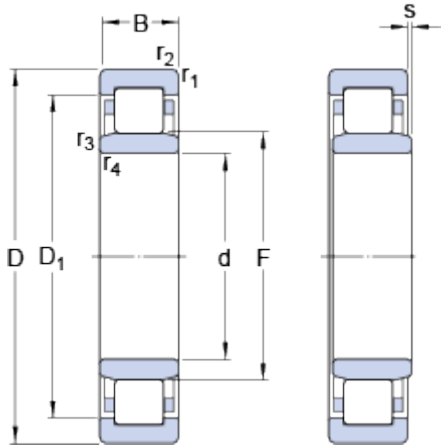


# NU 309 ECJ

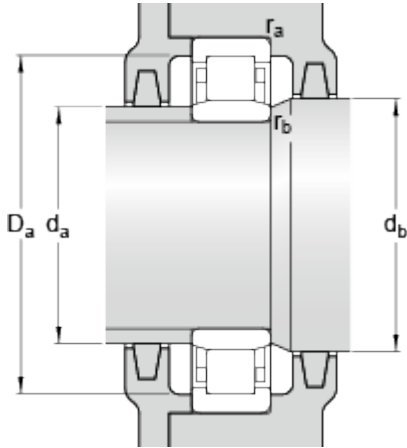
SKF Explorer

## Dimensions



d		45	mm
D		100	mm
B		25	mm
D <sub>1</sub>	≈	83.2	mm
F		58.5	mm
r <sub>1,2</sub>	min.	1.5	mm
r <sub>3,4</sub>	min.	1.5	mm
s	max.	1.7	mm

## Abutment dimensions



d <sub>a</sub>	min.	54	mm
d <sub>a</sub>	max.	56	mm
d <sub>b</sub>	min.	60	mm
D <sub>a</sub>	max.	91.4	mm
r <sub>a</sub>	max.	1.5	mm
r <sub>b</sub>	max.	1.5	mm

## Calculation data

Basic dynamic load rating	C	112	kN
Basic static load rating	C	100	kN
Fatigue load limit	P <sub>u</sub>	12.9	kN
Reference speed		7500	r/min
Limiting speed		8500	r/min
Calculation factor	k <sub>r</sub>	0.15	
Limiting value	e	0.2	
Axial load factor	Y	0.6	

## Mass

Mass bearing		0.89	kg
--------------	--	------	----

## Associated products

Angle ring		<a href="#">HJ 309 EC</a>	
------------	--	---------------------------	--

