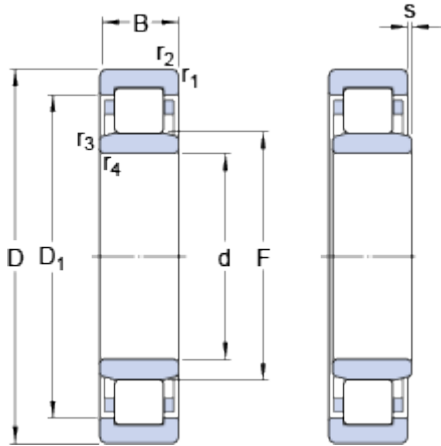


# NU 308 ECJ

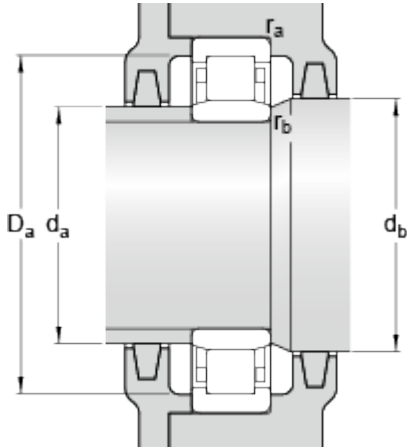
SKF Explorer

## Dimensions



d		40	mm
D		90	mm
B		23	mm
D <sub>1</sub>	≈	75	mm
F		52	mm
r <sub>1,2</sub>	min.	1.5	mm
r <sub>3,4</sub>	min.	1.5	mm
s	max.	1.4	mm

## Abutment dimensions



d <sub>a</sub>	min.	48	mm
d <sub>a</sub>	max.	50	mm
d <sub>b</sub>	min.	54	mm
D <sub>a</sub>	max.	81.8	mm
r <sub>a</sub>	max.	1.5	mm
r <sub>b</sub>	max.	1.5	mm

## Calculation data

Basic dynamic load rating	C	93	kN
Basic static load rating	C	78	kN
Fatigue load limit	P <sub>u</sub>	10.2	kN
Reference speed		8000	r/min
Limiting speed		9500	r/min
Calculation factor	k <sub>r</sub>	0.15	
Limiting value	e	0.2	
Axial load factor	Y	0.6	

## Mass

Mass bearing		0.67	kg
--------------	--	------	----

## Associated products

Angle ring		<a href="#">HJ 308 EC</a>	
------------	--	---------------------------	--

