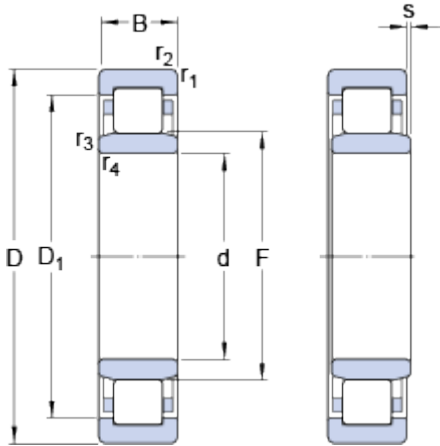


NU 306 ECJ

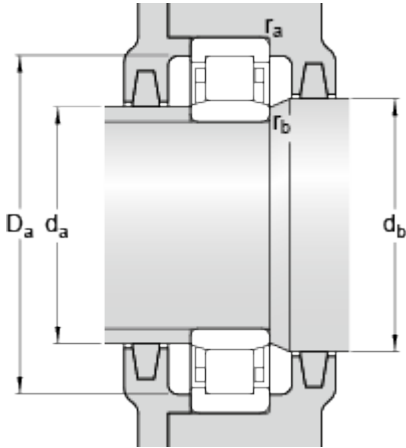
SKF Explorer

Dimensions



d		30	mm
D		72	mm
B		19	mm
D ₁	≈	58.35	mm
F		40.5	mm
r _{1,2}	min.	1.1	mm
r _{3,4}	min.	1.1	mm
s	max.	1.4	mm

Abutment dimensions



d _a	min.	37	mm
d _a	max.	39	mm
d _b	min.	43	mm
D _a	max.	65.1	mm
r _a	max.	1	mm
r _b	max.	1	mm

Calculation data

Basic dynamic load rating	C	58.5	kN
Basic static load rating	C	48	kN
Fatigue load limit	P _u	6.2	kN
Reference speed		11000	r/min
Limiting speed		12000	r/min
Calculation factor	k _r	0.15	
Limiting value	e	0.2	
Axial load factor	Y	0.6	

Mass

Mass bearing		0.36	kg
--------------	--	------	----

Associated products

Angle ring		HJ 306 EC	
------------	--	---------------------------	--

