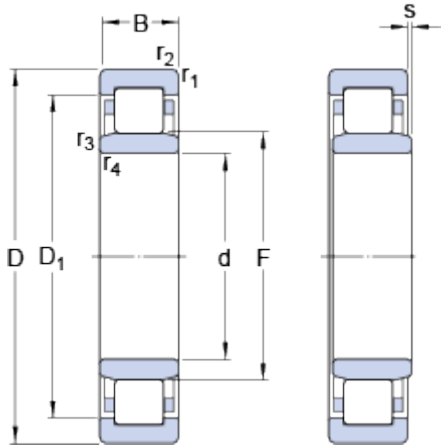


# NU 305 ECP

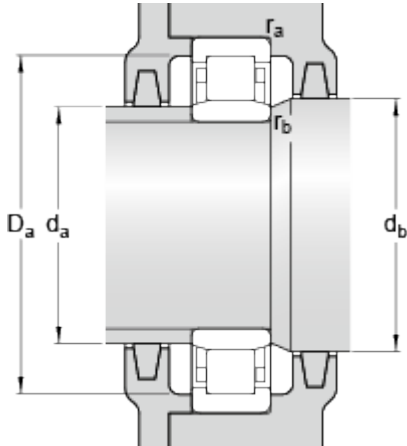
SKF Explorer

## Dimensions



d		25	mm
D		62	mm
B		17	mm
D <sub>1</sub>	≈	50.15	mm
F		34	mm
r <sub>1,2</sub>	min.	1.1	mm
r <sub>3,4</sub>	min.	1.1	mm
s	max.	1.3	mm

## Abutment dimensions



d <sub>a</sub>	min.	31	mm
d <sub>a</sub>	max.	32.5	mm
d <sub>b</sub>	min.	36	mm
D <sub>a</sub>	max.	54.9	mm
r <sub>a</sub>	max.	1	mm
r <sub>b</sub>	max.	1	mm

## Calculation data

Basic dynamic load rating	C	46.5	kN
Basic static load rating	C	36.5	kN
Fatigue load limit	P <sub>u</sub>	4.55	kN
Reference speed		12000	r/min
Limiting speed		15000	r/min
Calculation factor	k <sub>r</sub>	0.15	
Limiting value	e	0.2	
Axial load factor	Y	0.6	

## Mass

Mass bearing		0.23	kg
--------------	--	------	----

## Associated products

Angle ring		HJ 305 EC	
------------	--	-----------	--

