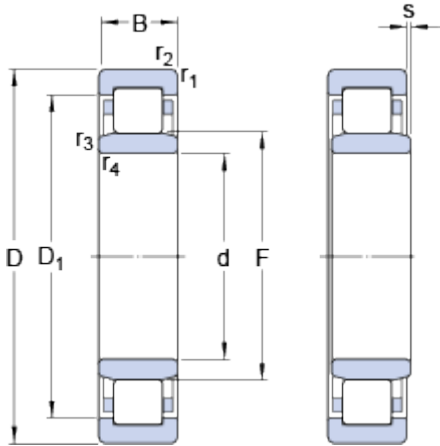


NU 305 ECJ

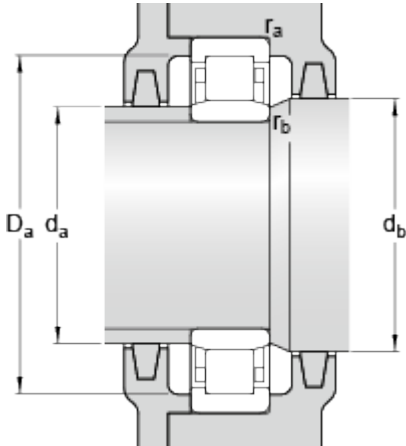
SKF Explorer

Dimensions



d		25	mm
D		62	mm
B		17	mm
D ₁	≈	50.15	mm
F		34	mm
r _{1,2}	min.	1.1	mm
r _{3,4}	min.	1.1	mm
s	max.	1.3	mm

Abutment dimensions



d _a	min.	31	mm
d _a	max.	32.5	mm
d _b	min.	36	mm
D _a	max.	54.9	mm
r _a	max.	1	mm
r _b	max.	1	mm

Calculation data

Basic dynamic load rating	C	46.5	kN
Basic static load rating	C	36.5	kN
Fatigue load limit	P _u	4.55	kN
Reference speed		12000	r/min
Limiting speed		15000	r/min
Calculation factor	k _r	0.15	
Limiting value	e	0.2	
Axial load factor	Y	0.6	

Mass

Mass bearing		0.24	kg
--------------	--	------	----

Associated products

Angle ring		HJ 305 EC	
------------	--	---------------------------	--

