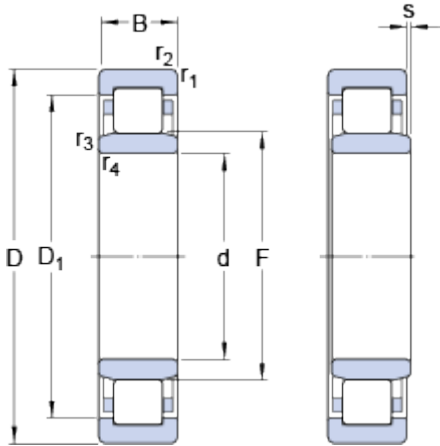


# NU 304 ECP

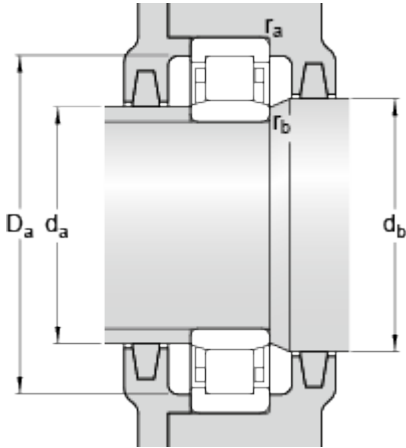
SKF Explorer

## Dimensions



d	20	mm
D	52	mm
B	15	mm
D <sub>1</sub>	≈ 41.85	mm
F	27.5	mm
r <sub>1,2</sub>	min. 1.1	mm
r <sub>3,4</sub>	min. 0.6	mm
s	max. 0.9	mm

## Abutment dimensions



d <sub>a</sub>	min. 24.1	mm
d <sub>a</sub>	max. 26.2	mm
d <sub>b</sub>	min. 29	mm
D <sub>a</sub>	max. 45.4	mm
r <sub>a</sub>	max. 1	mm
r <sub>b</sub>	max. 0.6	mm

## Calculation data

Basic dynamic load rating	C	35.5	kN
Basic static load rating	C	26	kN
Fatigue load limit	P <sub>u</sub>	3.25	kN
Reference speed		15000	r/min
Limiting speed		18000	r/min
Calculation factor	k <sub>r</sub>	0.15	
Limiting value	e	0.2	
Axial load factor	Y	0.6	

## Mass

Mass bearing	0.14	kg
--------------	------	----

## Associated products

Angle ring	HJ 304 EC
------------	-----------

