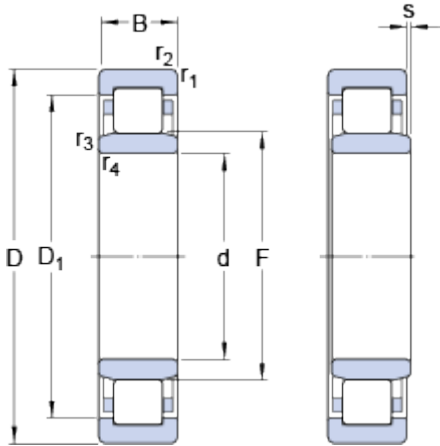


NU 303 ECP

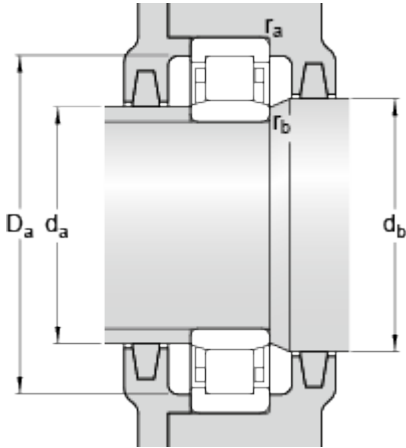
SKF Explorer

Dimensions



d		17	mm
D		47	mm
B		14	mm
D ₁	≈	36.75	mm
F		24.2	mm
r _{1,2}	min.	1	mm
r _{3,4}	min.	0.6	mm
s	max.	1	mm

Abutment dimensions



d _a	min.	21.1	mm
d _a	max.	23.1	mm
d _b	min.	26	mm
D _a	max.	41.7	mm
r _a	max.	1	mm
r _b	max.	0.6	mm

Calculation data

Basic dynamic load rating	C	28.5	kN
Basic static load rating	C	20.4	kN
Fatigue load limit	P _u	2.55	kN
Reference speed		17000	r/min
Limiting speed		20000	r/min
Calculation factor	k _r	0.15	
Limiting value	e	0.2	
Axial load factor	Y	0.6	

Mass

Mass bearing		0.12	kg
--------------	--	------	----