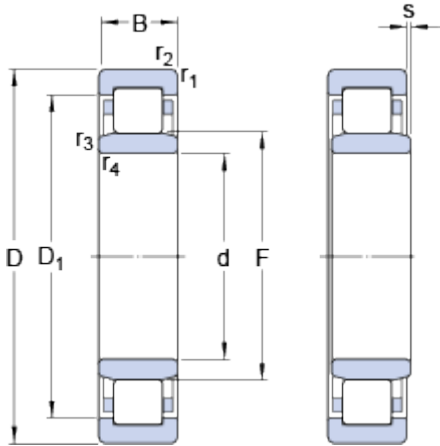


NU 2314 ECP

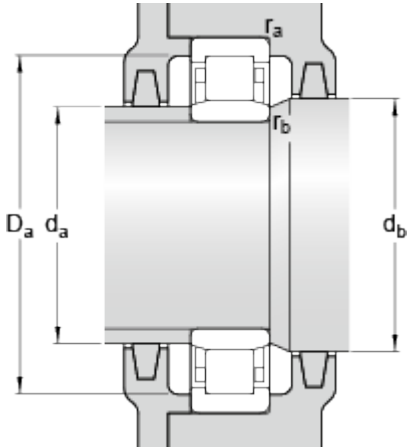
SKF Explorer

Dimensions



d		70	mm
D		150	mm
B		51	mm
D ₁	≈	125.6	mm
F		89	mm
r _{1,2}	min.	2.1	mm
r _{3,4}	min.	2.1	mm
s	max.	4.8	mm

Abutment dimensions



d _a	min.	82	mm
d _a	max.	86	mm
d _b	min.	92	mm
D _a	max.	137.5	mm
r _a	max.	2	mm
r _b	max.	2	mm

Calculation data

Basic dynamic load rating	C	315	kN
Basic static load rating	C	325	kN
Fatigue load limit	P _u	41.5	kN
Reference speed		4800	r/min
Limiting speed		5600	r/min
Calculation factor	k _r	0.25	
Limiting value	e	0.3	
Axial load factor	Y	0.4	

Mass

Mass bearing		3.94	kg
--------------	--	------	----

Associated products

Angle ring	HJ 2314 EC
------------	----------------------------

