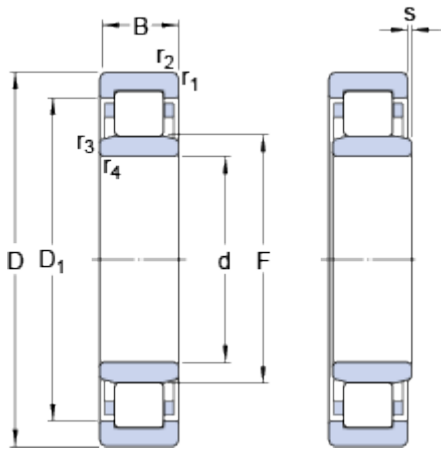


NU 2313 ECP

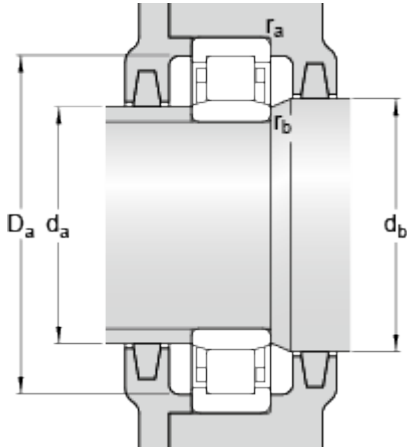
SKF Explorer

Dimensions



d	65	mm
D	140	mm
B	48	mm
D ₁	≈ 117.4	mm
F	82.5	mm
r _{1,2}	min. 2.1	mm
r _{3,4}	min. 2.1	mm
s	max. 4.7	mm

Abutment dimensions



d _a	min. 77	mm
d _a	max. 80	mm
d _b	min. 85	mm
D _a	max. 127.8	mm
r _a	max. 2	mm
r _b	max. 2	mm

Calculation data

Basic dynamic load rating	C	285	kN
Basic static load rating	C	290	kN
Fatigue load limit	P _u	38	kN
Reference speed		5300	r/min
Limiting speed		6000	r/min
Calculation factor	k _r	0.25	
Limiting value	e	0.3	
Axial load factor	Y	0.4	

Mass

Mass bearing	3.22	kg
--------------	------	----

Associated products

Angle ring	HJ 2313 EC
------------	------------

